

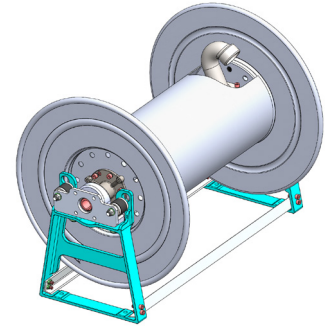
R-Series Lightweight High Pressure Hosereels

Liquip's all new R-Series drum style hosereels provide the perfect balance of strength and reduced weight to allow for increased payload capacity.

Liquip hosereels are designed for tough conditions and the R-Series is no exception. Beyond incorporating Liquip's proven technologies that work flawlessly in high pressure applications, Liquip's efforts were concentrated on re-engineering the hosereel design to reduce weight whilst withstanding the harshest operating environments and offering exceptional quality and usability.

Featuring an all new stainless steel manifold, aluminium base frame, drum and cheek plates, and a self aligning bearing, it's clear that no stone has been left unturned during the development of the R-Series reel.

The R-series is suitable for use in petroleum and aviation applications. Liquip offers a range of drum widths and supplies the hosereel ready to accept a hydraulic motor as standard to ensure the perfect solution for all applications. Other drive types will be offered soon e.g. manual and pneumatic motor rewind.



The R310HP shown

Key Features

- Lightweight design for increased payload capacity.
- 38mm flow path throughout.
- The stainless steel manifold and 1½" BSPT gooseneck allow for multiple product compatibility.
- The aluminium exterior eliminates the need for additional painting or coatings.
- Manifold, shafts and seal components can be easily accessed from the outside providing ease of service and maintenance.
- Can be driven by hydraulic motor. (Contact Liquip for other drive methods).
- Incorporates a flexible hose connection to ensure longevity of the hosereel.
- A range of drum lengths available with the same hose capacity as their predecessors.
- Left or Right hand configurable to ensure flexibility during installation.
- Supplied as standard with an anti-rotation lock to prevent hose unravelling.
- All reels are Australian made and supported through Liquip's distribution network.

Technical Information

Max allowable working pressure	Up to 2,100 kPa	Mounting	4 x M10 Bolts - see mounting footprint on following pages.
Periodic Service	Annually - check O-rings and replace as required.	Rewind Options	Hydraulic
Inlet and Outlet (reducers required for sizes below 1½" BSPT)	Suits the following diameter hose: 25mm (1") 32mm (1¼") 38mm (1½")	Materials	-Stainless steel 304 manifold, gooseneck and wetted components -Aluminium cheek plates and drum. -Nitrile seals.
Drum widths	310mm (12") 460mm (18") 610mm (24")	Weights (approx) (less motors)	310mm - 19 kg 460mm - 20 kg 610mm - 21 kg

Ordering Information

HOSEREELS ASSEMBLIES

Hydraulic Rewind (motor and controls not included)

R310HP: 310mm (12") High Pressure hosereel c/w motor mount bracket.

R460HP: 460mm (18") High Pressure hosereel c/w motor mount bracket.

R610HP: 610mm (24") High Pressure hosereel c/w motor mount bracket.

MOTOR AND CONTROL ASSEMBLIES

Hydraulic Motor

1295: HYD MOTOR DANFOSS (for hosereels).

Associated Equipment

Cartwheel/Catherine type hosereels: AHR250 series.

Aviation Drum style hosereels: AHR250D series (suit 2" and 2½" hoses).

Recommended hose: Continental/Elaflex/Alfagomma suction or delivery hose.

Recommended swivels: Liquip SJ series swivels or OPW swivels.

Industrial nozzles:

210L0104LLIQUIP: NOZZLE 1¼" BSPP C/W SPOUT OPW 210 SERIES HIGH FLOW

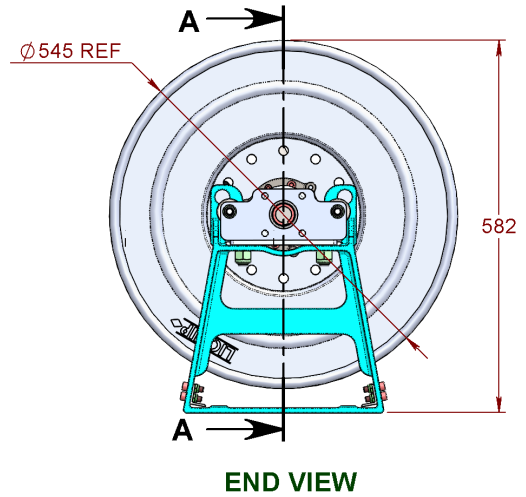
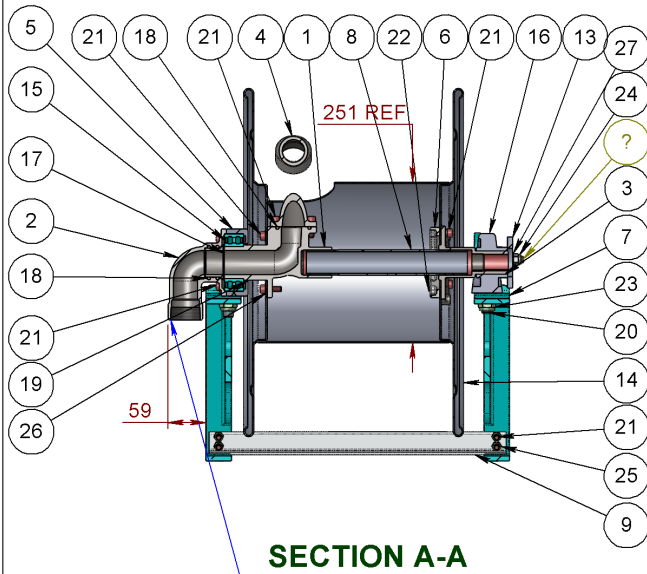
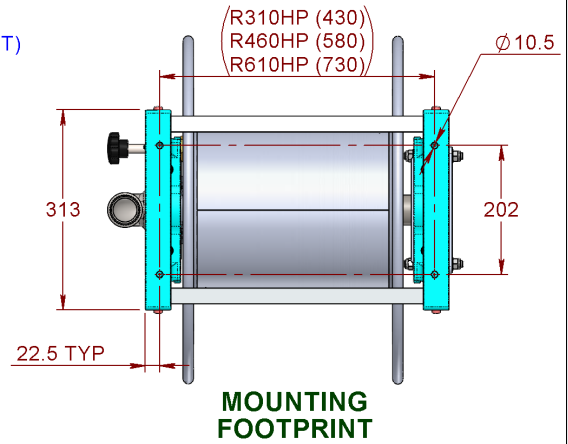
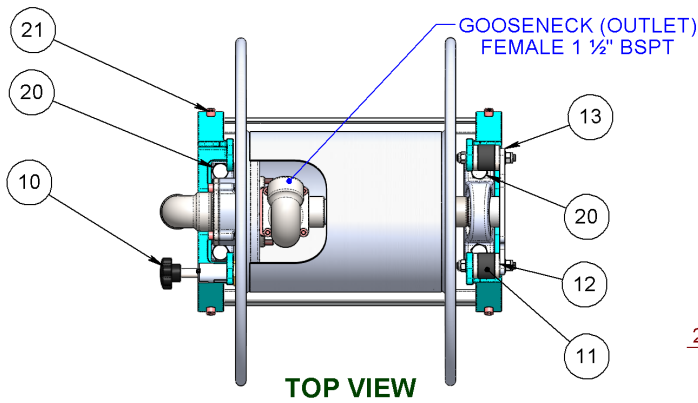
210L0105LLIQUIP: NOZZLE 1½" BSPP C/W SPOUT OPW 210 SERIES HIGH FLOW

Hosereel capacity in metres

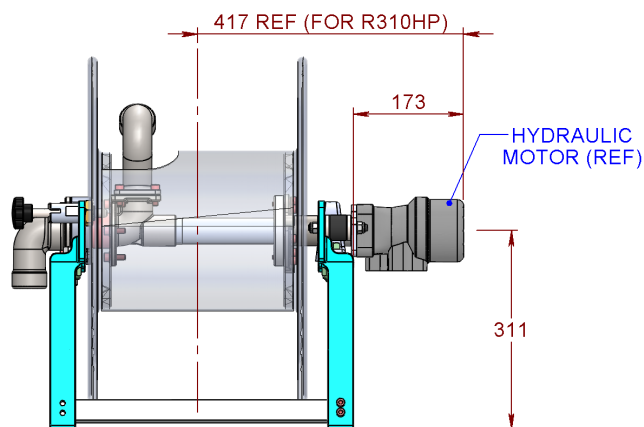
Hose Size (NB)	R310HP	R460HP	R610HP
¾"	62	93	137
1" (with beads)	39 (11)	64 (18)	88 (25)
1¼" (with beads)	24 (9)	35 (14)	53 (21)
1½" (with beads)	22 (4)	33 (5)	48 (8)



R-Series Lightweight High Pressure Hosereels



SEAL FLANGE (INLET)
FEMALE 1 1/2" BSPT



R-Series Lightweight High Pressure Hosereels

ITEM NO.	PART NUMBER	Desc1	R610HP QTY.	R460HP QTY.	R310HP QTY.	Material
1	R310HP-1	MANIFOLD	1	1	1	ST STEEL
2	R310HP-2	SEAL FLANGE	1	1	1	ST STEEL
3	R310HP-3	INPUT SHAFT-FLANGE	1	1	1	ST STEEL
4	R310HP-4	GOOSENECK	1	1	1	ST STEEL
5	R310HP-5	BEARING HOUSING	1	1	1	ALUMINIUM
6	R310HP-6	BACKING FLANGE	1	1	1	ALUMINIUM
7	R310HP-7	A-FRAME SUPPORT	2	2	2	ALUMINIUM
8	R610HP-8	CONNECTING TUBE	1	-	-	ALUMINIUM
	R460HP-8	CONNECTING TUBE	-	1	-	ALUMINIUM
	R310HP-8	CONNECTING TUBE	-	-	1	ALUMINIUM
9	R610HP-9	ANGLE (32 x 25 x 3)	2	-	-	ALUMINIUM
	R460HP-9	ANGLE (32 x 25 x 3)	-	2	-	ALUMINIUM
	R310HP-9	ANGLE (32 x 25 x 3)	-	-	2	ALUMINIUM
10	R310HP-12	LOCK PIN ASSY	1	1	1	SS & AL
11	R310HP-15	RUBBER MOUNT	2	2	2	STEEL or STAINLESS STEEL, RUBBER
12	R310HP-16	SPACER	4	4	4	ST STEEL
13	R310HP-22	BRACKET MOTOR MOUNT	1	1	1	ALUMINIUM
14	R610HP-23	DRUM & SIDEPLATES	1	-	-	ALUMINIUM
	R460HP-23	DRUM & SIDEPLATES	-	1	-	ALUMINIUM
	R310HP-23	DRUM & SIDEPLATES	-	-	1	ALUMINIUM
15	5375	(DOUBLE ROW BALL BRG)	1	1	1	STEEL
16	4637	BEARING & BLOCK	1	1	1	IRON
17	5376	(EXTERNAL CIRCLIP)	1	1	1	STEEL
18	5374	O-RING	3	3	3	NITRILE
19	5378	O-RING	1	1	1	NITRILE
20	6705	BOLT METRIC	4	4	4	Z/P STEEL
21	4942	CAPSCREW METRIC	28	28	28	ST STEEL
22	6533	CAPSCREW METRIC	2	2	2	ST STEEL
23	55023	NUT NYLOC	4	4	4	Z/P STEEL
24	4981	NUT NYLOC	4	4	4	Z/P STEEL
25	6625	NUT HALF NYLOC MET	8	8	8	Z/P STEEL
26	6605	WASHER FLAT	6	6	6	ST STEEL
27	5288	WASHER FLAT	4	4	4	Z/P STEEL



See website for Liquip branches and distributors
www.liquip.com

X1050020
 Sheet 2/2 Issue: B